

Vu10

Forbes Marshall View Glass

Description

The Forbes Marshall View Glass, VU10, is a range of single and double window view glasses available in cast iron screwed connections.

Sizes and End Connections

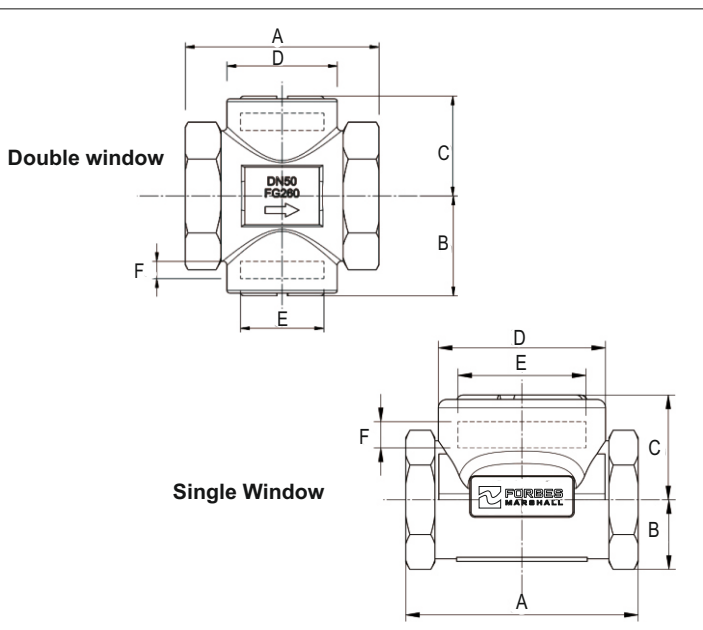
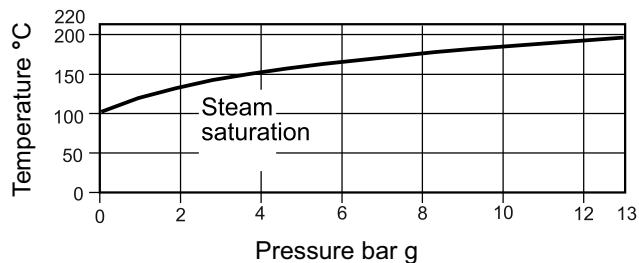
Single Window DN 15, 20 and 25 screwed BSPT / NPT / BSP

Double window DN 40 and DN 50 screwed BSPT / NPT / BSP

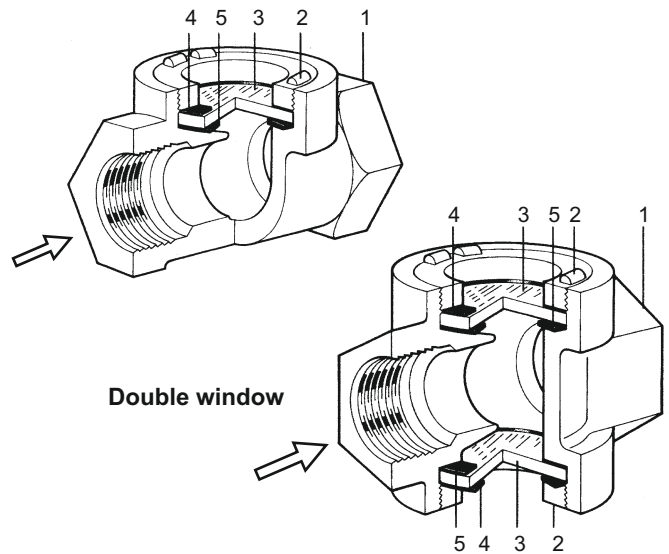
Limiting Conditions

PMO - Max. working pressure	13 bar g
TMO – Max. working pressure	220°C
Cold hydraulic test pressure	26 bar g
Minimum operating temperature	0°C

Operating Range



Single window



Material

Sr.No.	Part	Material	Standard
1.	Body	Cast iron	IS 210 Gr. FG260
2.	Bazel	Brass	BSS 218
3.	Glass	Toughened glass	
4.	Top gasket	Ss304 Exfoliated graphite	
5.	Bottom gasket	Ss304 Exfoliated graphite	

Dimensions / Weights (approx.) in mm

Single Window

Size	A	B	C	D	E	F	Weight
DN 15	89	18	34	64	50	10	0.8 Kg
DN 20	89	18	35	64	50	10	0.8 Kg
DN 25	89	24	38	64	50	10	1 Kg

Double window

Size	A	B	C	D	E	F	Weight
DN 40	107	51	51	64	50	10	2 kg
DN 50	114	57	57	64	50	10	2.5 kg

How to Order

Example: 1 No. DN 25 Forbes Marshall View Glass VU10 screwed BSPT connection

Safety Information, Installation and Maintenance

Safe operation of these units can only be guaranteed if they are properly installed, commissioned and maintained by a qualified person in compliance with the operating instructions. General installation and safety instructions for pipeline and plant constructions, as well as the proper use of tools and safety equipment must also be complied with.

Warning

Under certain conditions corrosive elements in condensate can affect the inner face of the window(s), particularly where caustic alkali and hydrofluoric acid are present. It is recommended that the sight glass is periodically checked. If there is evidence of thinning or erosion damage then the window(s) should be replaced immediately. Always wear eye protection when viewing the contents of the view glass.

Installation and Maintenance Note

View glasses should have stop valves fitted on both inlet and outlet. It is imperative that the upstream stop valve is closed first in order to prevent over pressurization.

View glasses can be fitted in either a horizontal or vertical line on the outlet side of a steam trap. Where the trap is a blast discharge type e.g. thermodynamic, the view glass must be fitted at least 1m from the trap. This is to ensure that the glass is not subjected to thermal shock or pressure. Reasonable steps should be taken to protect personnel from injury in the unlikely event that the glass breaks.

Ensure access is available for maintenance purposes.

Disposal

The product is recyclable. No ecological hazard is anticipated with disposal of this product providing due care is taken.

Spare Parts

The spare parts available are shown in heavy outline. Parts drawn in broken line are supplied as spares.

Available Spares

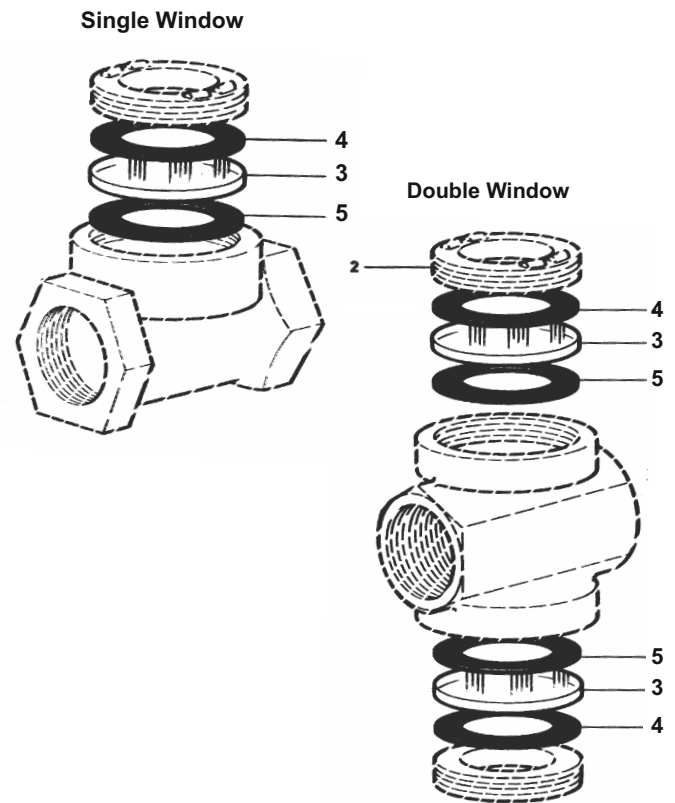
Set of glass and gasket (pack of 2)3, 4, 5

How to Order Spares

Always order Spares by using the description given in the column headed "Available Spares" and state the size and type of view glass.

Recommended Tightening Torque for Bazel (Brass Ring)

Size (DN)	Torque (Nm)
15 TO 50	15



Forbes Marshall
Krohne Marshall
Forbes Marshall Arca
Codel International
Forbes Solar
Forbes Vyncke
Forbes Marshall Steam Systems

Opp 106th Milestone
Bombay Poona Road
Kasarwadi, Pune - 411 034. INDIA
Tel : 91(0)20-27145595, 39858555
Fax : 91(0)20-27147413

Email : seg@forbesmarshall.com, ccmidc@forbesmarshall.com

© All rights reserved. Any reproduction or distribution in part or as a whole without written permission of Forbes Marshall Pvt Ltd, its associate companies or its subsidiaries ("FM Group") is prohibited.

Information, designs or specifications in this document are subject to change without notice. Responsibility for suitability, selection, installation, use, operation or maintenance of the product(s) rests solely with the purchaser and/or user. The contents of this document are presented for informational purposes only. FM Group disclaims liabilities or losses that may be incurred as a consequence of the use of this information.

B-85, Phase II, Chakan Indl Area
Sawardari, Chakan, Tal. Khed
Dist. Pune - 410 501. INDIA
Tel : 91(0)2135-393400

A-34/35, MIDC H Block
Pimpri, Pune - 411 018. INDIA.
Tel : 91(0)20-27442020, 39851199
Fax : 91(0)20-27442040

CIN No.: U28996PN1985PTC037806
www.forbesmarshall.com